



PA/PB

INDUSTRIAL PROCESS FANS

The new ventilator model series PA and PB allows us to expand our range of maximum volume flows systems in the area of process air engineering up to 400,000 m³/h. No matter whether it concerns the PA series with backward curved hollow profile blades for dust-free media or the PB series with backward tilting blades for dust-laden media: select the exact solution for your requirements from the tried and tested ventilator series PA, PB, P2M and Q2M.

PA/PB | The advantages

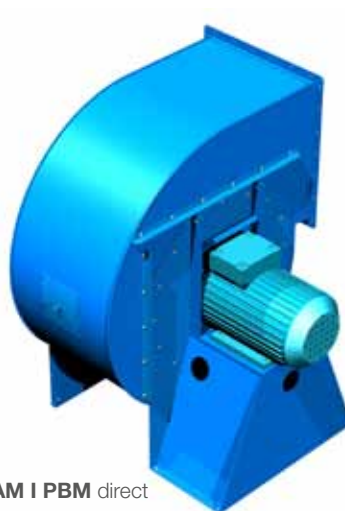
- Lower costs through energy saving in the full and partial load range for the best performance values (max. efficiency = 84%)
- Simple installation planning due to the up to 16 freely selectable discharge directions
- Simple maintenance or exchange of the motor through use of globally available standardised motors
- No dampening is normally necessary due to the low acoustic power level; housing insulations can be obtained as an optional extra for sensitive environments
- An extensive range of accessories can be obtained simply and quickly directly over Nicotra Gebhardt
- Universal connection options are available all over the world using adapters made according to DIN and US measures
- Simple and secure handling without the need for special tools
- The tried and tested system secures reliable operation of your investment, also in demanding industrial environments (ATEX, aggressive media, stainless steel V2A/V4A/AISI 304/AISI 316)
- Reliable surface protection reduces maintenance and repair and increases the service life of the ventilator (galvanised, special surface coating)
- Standard IE2 motor suitable for FU controllability; efficiency requirements can be comfortably observed using IE3 motors
- Use of media temperatures of up to +300°C (+200°C in direct drive without a coupling)
- Static pressure increase up to 5.000 Pa
- Simple configuration over the selection programme proselecta

PAM | PBM direct drive

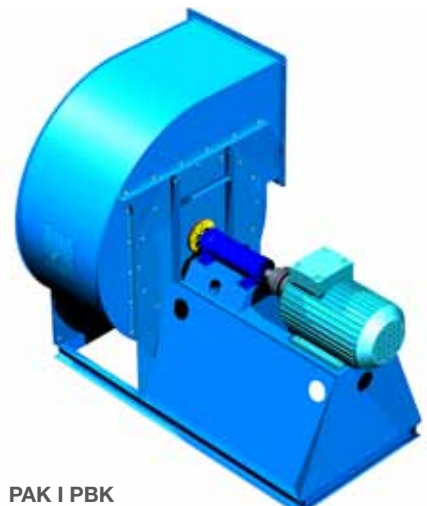
- Space saving and economic

PAK | PBK direct drive over a coupling

- Quieter and more durable due to increased smoothness of running over a coupling and a robust frame housing
- Lower maintenance costs: Simple exchange of the motor, independent of the impeller and balance
- A higher conveying means temperature is possible



PAM | PBM direct drive



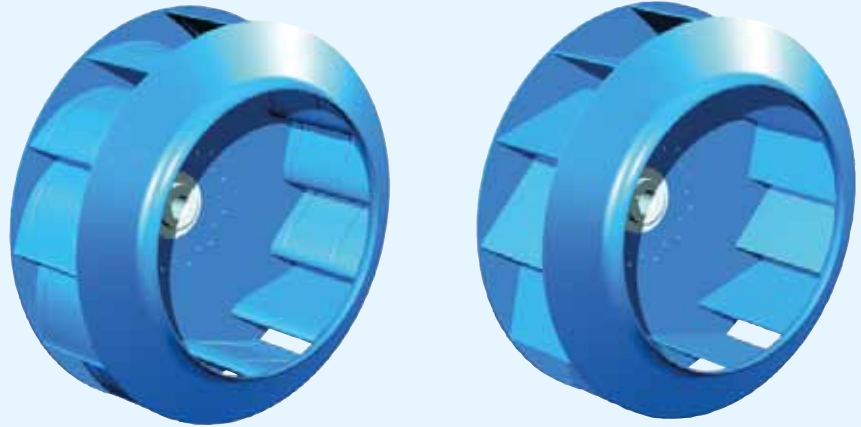
PAK | PBK
Direct drive over a coupling

On the left | impeller PA

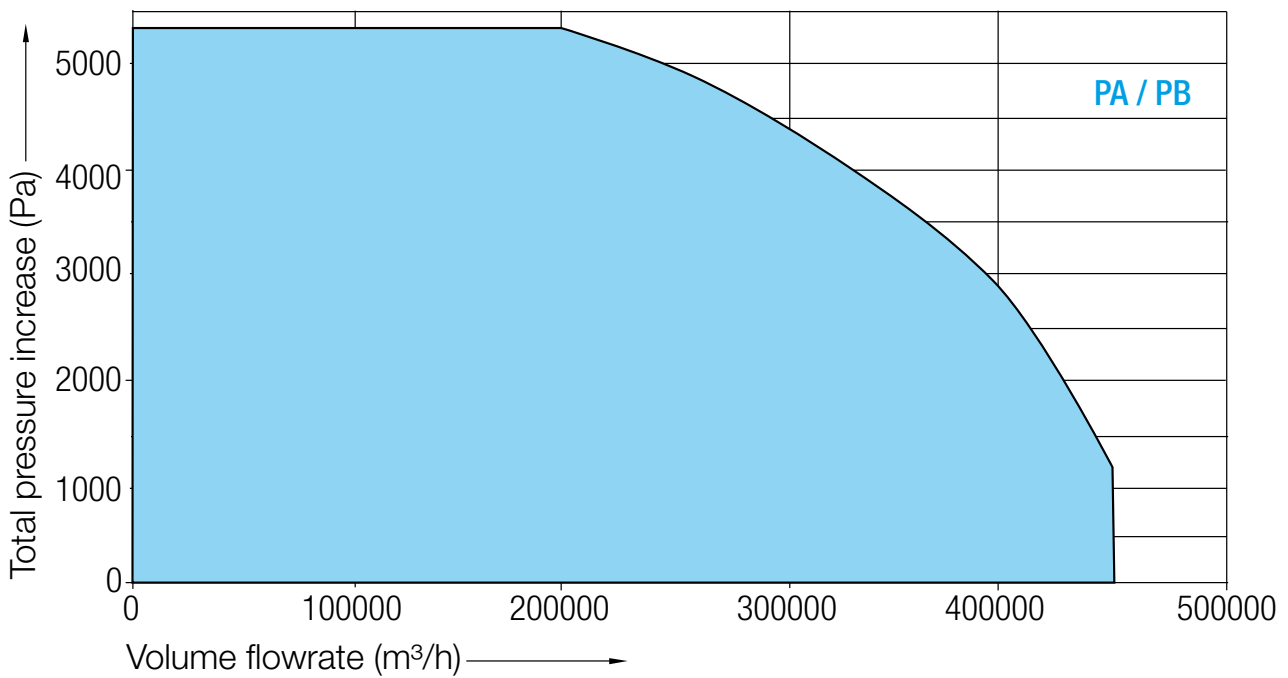
With backward curved hollow profiled blades for dust-free media

On the right | impeller PB

With backward tilting blades for air with a relative high humidity and dust-laden media (fine, dry, non-abrasive)



CHARACTERISTICS DIAGRAM



MAIN MEASUREMENTS – BASED ON HOUSING POSITION RD 90

On the left |

main measurements PAM/PBM

Direct drive

On the right |

main measurements PAK/PBK

Direct drive over a coupling

Larger dimensions on request;
Exact dimensions for various housing positions and motor sizes over the configuration programme proselecta

Model	Length L	Width AB	Height H	Model	Length L	Width AB	Height H
18	914	796	1110	18	914	Engine-dependent	1110
20	952	834	1201	20	952		1201
22	1010	988	1321	22	1010		1321
24	1148	1037	1442	24	1148		1442
27	1210	1221	1578	27	1210		1578
30	1419	1362	1739	30	1419		1739
33	1495	1499	1900	33	1495		1900
36	1705	1696	2105	36	1705		2105
40	1856	1845	2022	40	1856		2022
				44	1997		2226
				49	2242	2448	
				54	2265	2605	

Nicotra Gebhardt Deutschland

Nicotra Gebhardt GmbH
Gebhardtstraße 19-25
74638 Waldenburg

Tel: +49 (0)7942 101 0
Fax: +49 (0)7942 101 170
Email info@nicotra-gebhardt.com