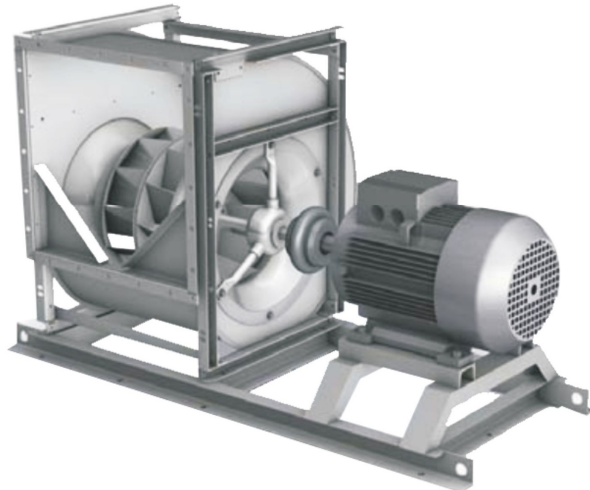


Initiative Towards Greener World



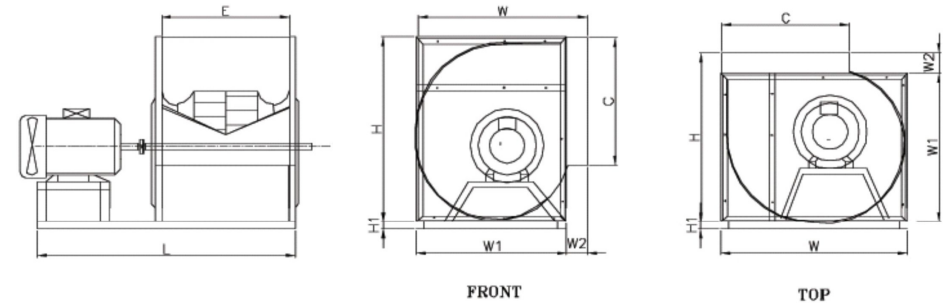
High Efficiency Direct Driven Centrifugal Fans

Series : RDH-D

Features :

- Direct Driven DIDW fans with Coupling
- Maintenance and wear free drive (No V-belts)
- Higher Efficiency, lower running cost in comparison to Belt Driven DIDW & Direct Driven SISW (Plenum) fans.

Technical Specifications



Fan Model	Max Motor Frame size	L	W		H		W1	W2	H1	C	E
			Front	Top	Front	Top					
400	160	1398	651	736	736	651	613	38	65	500	500
450	180	1499	726	827	828	726	679	45	65	569	569
500	180	1595	800	918	918	800	748	50	65	638	638
560	200	1950	893	1030	1030	893	839	54	80	715	715
630	225	2100	999	1157	1157	999	940	59	80	801	801
710	250	2300	1121	1303	1303	1121	1050	71	80	898	898
800	250	2400	1255	1468	1468	1255	1181	74	100	1007	1007
900	280	2655	1408	1648	1648	1408	1319	89	100	1130	1130
1000	315	2930	1541	1810	1810	1541	1451	90	100	1267	1267
1120	315	3150	1740	2018	2018	1740	1701	39	100	1337	1421
1250	315	3300	1949	2258	2258	1949	1902	47	100	1480	1589